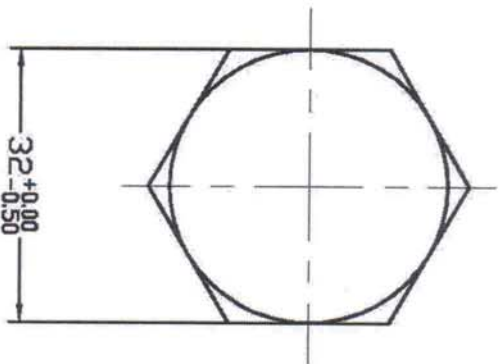
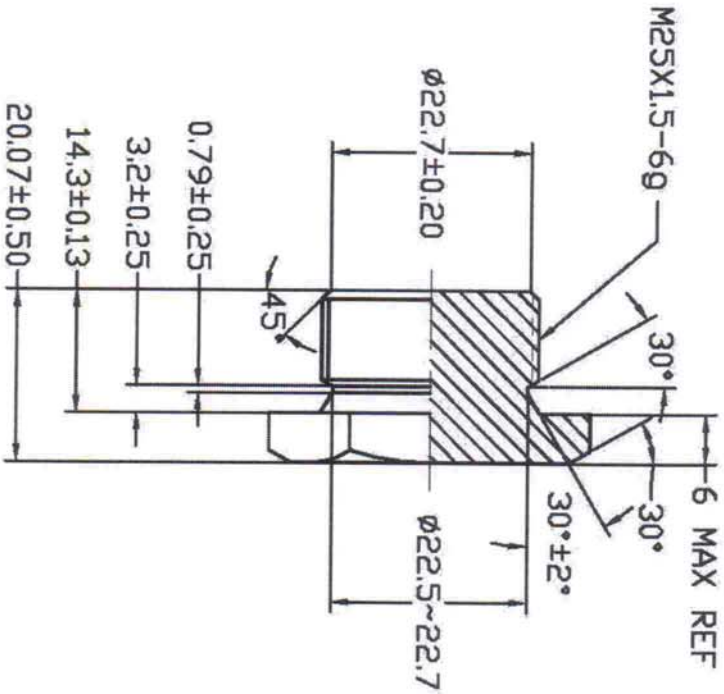


| REV | DATE | REVISION DETAILS | APPD |
|-----|--------------|--|------|
| A | JULY 9, 2014 | CHANGE THE SURFACE TREATMENT (更改表面处理) | 张健 |
| | | | |
| | | | |



UNLESS SPECIFIED
ALL DIMENSIONS IN mm
MACHINED SURFACES Ra=3.2um
ANGLE TOLERANCES ±1°
DECIMAL TOLERANCES:
.x: ±0.5
.xx: ±0.25
.xxx: ±0.127

未注公差
图示尺寸单位为 mm
表面粗糙度 Ra=3.2um
角度公差 ±1°
小数部分公差:
.x: ±0.5
.xx: ±0.25
.xxx: ±0.127

MATERIAL Chinese steel 45

FINISH

Remove all sharp edges, burrs, slivers and swarf, break all edges 0.127-0.254mm. 去除所有毛刺, 铁屑等缺陷, 做好倒角0.127-0.254mm.
Zinc plated with trivalent chromate passivation and no red corrosion in 96 hours salt spray test. (镀锌, 三价铬钝化, 银白色, 96小时盐雾试验无红锈)

HANGZHOU HI-TECH INDUSTRY IMP. & EXP. CORP.

PART No 6408-M25PLUG

SCALE:

张健

DRN: L. G. Pan

DATE:

2011.09.19

CHK: L. G. Pan

NTS

96小时盐雾试验无红锈